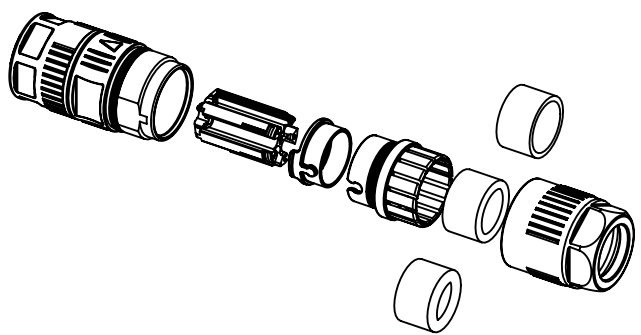


order contacts separately

| cable $\varnothing$ | wire gauge                  | part number        |                       |
|---------------------|-----------------------------|--------------------|-----------------------|
|                     |                             | 4 x female contact | 1 x male contact (FE) |
| 6.6 - 11.6mm        | 2.5mm <sup>2</sup> / AWG14  | 21 01 100 9940     | 21 01 100 9938        |
|                     | 1.5mm <sup>2</sup> / AWG16  | 21 01 100 9939     | 21 01 100 9937        |
|                     | 0.75mm <sup>2</sup> / AWG19 | 21 01 100 9965     | 21 01 100 9963        |
|                     | 0.5mm <sup>2</sup> / AWG20  | 21 01 100 9964     | 21 01 100 9962        |



|                              |   |  |                          |                 |  |                        |
|------------------------------|---|--|--------------------------|-----------------|--|------------------------|
|                              | All rights reserved<br>Department EL PD | All Dimensions in mm<br>Original Size DIN A4 |                          | Scale<br>1:1    | Free size tol.   | Ref.<br>Sub.           |
|                              |   | Created by<br>HASSE                          | Inspected by<br>FRIESENH | Standardisation | Date<br>2021-09-10                                       | State<br>Final Release |
| HARTING<br>D-32339 Espelkamp |   | Title<br>M12-P-CC-CRIMP-5P-LCOD-F-STR-SHLD   |                          |                 | Doc-Key / ECM-Nr.<br>100765654/UGD/001/C<br>500000202406 |                        |
|                              |   | Type<br>TB                                   | Number<br>21038962510    |                 | Rev.<br>C  | Page<br>1/1            |